

# Built to last.

Kalmar TL2 Terminal Tractor.



 **KALMAR**



# Built from experience.

Our new range of terminal tractors have been designed by combining local insights and the accumulated knowledge and experience of manufacturing over 60,000 terminal tractors globally.

The TL2 Terminal Tractor gives you a machine that has been specifically built for the demanding conditions of your region. You will benefit from a robust and reliable terminal tractor that will continually perform at optimal levels while substantially reducing your fuel consumption. Built for your region, built to last.



## Built on a proven platform.

Our latest platform has been tested and proven in the field with over 10,000 machines already in operation.



## Built to last.

Kalmar only uses quality materials and parts in all its machines, which gives you a highly reliable machine that will take less time and effort to maintain and service.



## With a bolted chassis.

The TL2 has a bolted rigid chassis that can easily be repaired and maintained, it is also less likely to suffer from cracking than a traditional welded frame.



## Built to save money.

With up to a 15% reduction in fuel consumption due to smart programming and longer maintenance intervals - you will benefit from lower fuel costs, carbon emissions and higher levels of machine availability.

The world's leading supplier of terminal tractors.

With over 60,000 terminal tractors built globally, Kalmar knows how important it is to be where you are. Our global support network are always close by and are there to support your business for the long run.



# Built on a proven platform.

With over 10,000 machines built on our proven platform you can expect a terminal tractor that is ready to take on any task. There are many additional benefits to a common platform:

**Proven chassis design:** you get a highly stable and robust bolted chassis design, which is easier to maintain, repair or change than a welded chassis.

**Common electrical systems:** uses standardised error codes for fast and easy trouble shooting.

**A standardised driver control panel:** all machines have the same operator controls and interface, making it easier to move from one type of machine to another.

**More options and features:** building on our global platform means you get more options and features to choose from.

## Built to your specifications.

You can choose from:

- 2** different wheel bases. Either 2946mm or 3200mm in length.
- 2** different Cummins engines with either 129kW or 164kW rated power.
- 3** different front axles with capacities from 5500kg to 7500kg.
- 3** different rear axles with manual or automatic slack adjusters and a 32000kg capacity.
- 3** different fifth wheels, with capacities of 32T and 45T.



# Built to save you time and money.

## Reduce fuel consumption by up to 15%.

Smart programming combined with our highly efficient driveline can reduce your overall fuel consumption by up to 15%. Saving you money and reducing your carbon emissions substantially at the same time.

## Less moving parts.

With the TL2's hydraulics system you will have less moving parts to service and maintain over mechanical alternatives, saving you even more time.

## Easier and faster to service.

With an easy lift cabin and all service points accessible from the ground, servicing will be safer and quicker.

## Long service intervals.

With industry leading service intervals your terminal tractor will spend less time being serviced and more time operating in your yard.



# Built for comfort.

Our new TL2 cabin has been specially designed to keep your drivers comfortable and safe even in the harshest conditions.



With an advanced climate control system fitted, your drivers can operate safely and comfortably in temperatures from -20c to 45c+.



Our ergonomically designed cabins come with adjustable steering wheel, seat and controls so they can be set to match your driver's preferences.



The TL2 features non-slip access surfaces and hand rails for easy and safe access to the cabin and rear platform.



Our new cabin has improved visibility both forwards and to the rear platform, so your driver can operate safely at all times.



## Options.

There are numerous options that you can choose from for your new terminal tractor, depending on your specific needs:

- Coolant overflow reservoir (expansion tank)
- Meritor FF961 front axle
- Front shock absorbers
- Sisu SRDP with 12.28 ratio
- Elevating 5th wheel - 431mm lift height & 28T lifting capacity
- Vertical crank-operated window, driver side door
- Rear glass protector on rear door
- Trailer stops for cab protection
- Cab tilt pump with manual backup special application and protection guard
- 5th wheel jawlock indicator lamp.





# Kalmar Lifetime Services.

Making sure your business never stops.

We offer four different types of service and maintenance contracts. Each is designed to help you improve your operational efficiency, drive productivity and secure financial predictability. Each contract type includes a set of standardised service modules to meet your business needs.

**The four flexible types of service contracts.**

**Kalmar Support Care**

We support your maintenance processes on demand.

- Availability of competent people with the right tools and parts
- Provides additional skills to existing maintenance organisation.

**Kalmar Essential Care**

We perform your agreed maintenance tasks proactively.

- Availability of competent people with the right tools and parts
- Higher degree of financial predictability
- Reduced operational risk to customer
- Improved availability of machines.

**Kalmar Complete Care**

We meet your complete maintenance requirements.

- Predictive maintenance planning
- Low operational risk to customer
- Reduced equipment downtime
- Reduced total cost of operation
- Increased operational predictability.

**Kalmar Optimal Care**

We optimise your business performance.

- Guaranteed availability
- Reduced tied-in capital
- Improved business performance
- Increased peace of mind.

**Flexible financing.**

You may choose to buy your new terminal tractor outright or consider a Kalmar financing package. We offer a range of packages that give you the financial predictability you need and the option to upgrade your equipment after a fixed period. Our financing packages let you focus on your core operations, while we maintain and service your equipment. Kalmar can also help with trading in your old machine.



**Kalmar Training Academy.**

For your team to get the most out of their new terminal tractor, the Kalmar Training Academy offers a range of courses for both your technicians and operators. Operators will be shown how to optimise their day-to-day operational performance and what needs to be checked daily on the machine before operations begin. Technicians will be given the knowledge needed to keep your new machine in top condition. Courses are a mix of theory and hands-on experience and can be held at Kalmar or at your site.

**Kalmar Genuine Parts, when the right part matters.**

When something needs to be replaced you need a quality part that meets your exact needs – urgently. Kalmar Genuine Parts offers a rapid delivery service for over 50,000 premium-quality genuine parts to anywhere in the world, with installation support if needed. You can now order parts on-line 24/7 at Kalmar MyParts, contact your local support team to register.

**Kalmar Parts Care.**

**Parts when you need them.**

You may also want to consider outsourcing all or part of your spare parts management and inventory control. Kalmar Parts Care makes sure that critical spare parts are always on hand so your equipment downtime is kept to a minimum. Each Kalmar Parts Care plan is based on your operational needs, so talk to us today and see how we can improve your parts availability while reducing your inventory costs.



# Built for you.

The Kalmar TL2 terminal tractor.

Built to meet your requirements, the Kalmar TL2 will exceed your expectations.

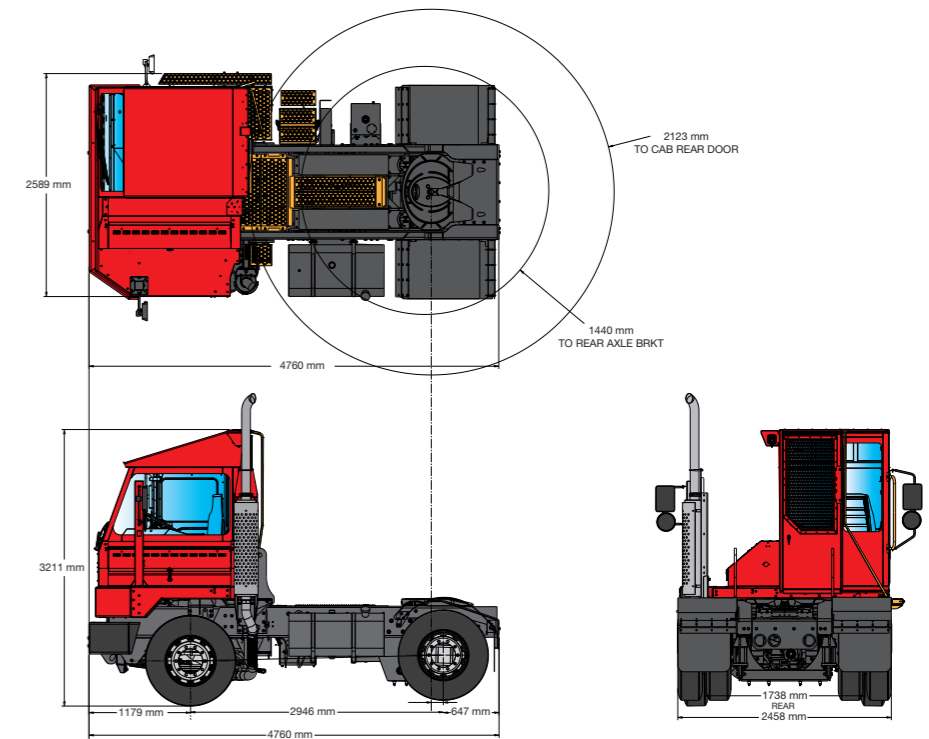
### Dimensions

Wheelbase	Overall Length	Trailer clearance		
		Boom up		Boom down
		430mm lift	1000mm lift	
2946 mm	4760 mm	2020 mm	N/A	2130 mm
3200 mm	5014 mm	2270 mm	N/A	2385 mm

Tyre size	Down Height		Cab Height	Ground Clearance
	Rigid Axle	Air suspension W/lowering		
11R22.5	1215 mm	N/A	3211 mm	170 mm
11R20	1248 mm	N/A	3224 mm	193 mm
280/75R22.5	1194 mm	N/A	3190 mm	149 mm

### Transmissions

Transmission
Allison MY09 3000RDS
Allison MY09 3500RDS



### Power trains

Engine model	Rated kW @ rpm	Rated torque @ rpm
<b>Standard</b> - Cummins QSB6.7 220 HP / 164kW Tier 3 / EU Stage 3A	164 kW @ 2200 rpm	945 Nm @1500 rpm
<b>Option</b> - Cummins QSB6.7 173 HP / 129kW Tier 3 / EU Stage 3A	129 kW @ 2200 rpm	800 Nm @1500 rpm

### Front axle options

Axle	Capacity @ speed	Hub
Hande front axle 5.5t with 400x150 Brakes, 335 mm with Automatic Slack Adjusters	5500 KG @ 25 km/h	335mm
Meritor FF-961 12,000 lbs (5,443 Kg) 16.5x5 brakes, 335 mm and Automatic Slack Adjusters	5500 KG @ 25 km/h	335mm
Hande front axle 7.5t with 410x160 Brakes, 335 mm and Automatic Slack Adjusters	7500 KG @ 25 km/h	335mm

### Rear axle options

Axle	Ratio	Capacity @ speed
Hande with 11.98 ratio 32000 KG @ 25 km/h with Automatic or Manual Slack Adjusters	11.98	32000 KG @ 25 km/h
Sisu SRDP with 12.28 ratio 32000 KG @ 25 km/h and Automatic Slack Adjusters	12.28	32000 KG @ 25 km/h

### Load carrying devices

Product	Lift height	Capacity
Stationary 5th wheel	N/A	
Port package	430mm	28t

### Fifth wheels

Product	Capacity
Holland FW 35	32000 KG
Holland FW 0E70	32000 KG
Holland FW 2870	45000 KG

### New features:

- Bolted together frame
- Cummins QSB6.7L Tier 3 220HP
- Tilt-tele steering column
- Maintenance free parabolic leaf springs
- Rectangular fuel tank with cap strainer
- In-tank mounted hydraulic filter
- Integrated radiator (inter cooler & radiator & trans oil cooler).





**KALMAR**

Making your every move count

[www.kalmarglobal.com](http://www.kalmarglobal.com)

Published by Kalmar, part of Cargotec. Copyright Cargotec. All rights reserved.