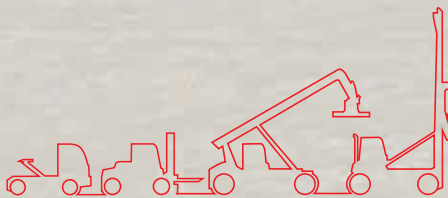


Quality for all.

The Kalmar TL2
Essential Terminal Tractor.



Kalmar Essential Range



 **KALMAR**

Built from experience.

The Kalmar Essential Terminal Tractors give you everything you expect from Kalmar - a quality build with high availability and excellent productivity for a very competitive price.

Kalmar Essential Terminal Tractors have been built on the accumulated knowledge and experience of manufacturing over 70,000 terminal tractors globally. You will benefit from a robust and reliable terminal tractor that will continually perform at optimal levels while substantially reducing your fuel consumption. Built for you, built to last.



Built on a proven platform.

Our latest platform has been tested and proven in the field with over 10,000 machines already in operation.



Built to last.

Kalmar only uses quality materials and parts in all its machines, which gives you a highly reliable machine that will take less time and effort to maintain and service.



With a bolted chassis.

The Essential Terminal Tractor has a bolted rigid chassis that can easily be repaired and maintained, it is also less likely to suffer from cracking than a traditional welded frame.



Built to save money.

With up to a 15% reduction in fuel consumption due to smart programming and longer maintenance intervals - you will benefit from lower fuel costs, carbon emissions and higher levels of machine availability.

The world's leading supplier of terminal tractors.

With over 70,000 terminal tractors built globally, Kalmar knows how important it is to be where you are. Our global support network are always close by and are there to support your business for the long run.

Built on a tested and proven platform.

Already in operation across Asia Pacific, our Essential TL2 Terminal Tractor is built on the same tested and proven platform, making it ready to take on any task. There are many additional benefits to a tested and proven machine:

Proven chassis design: you get a highly stable and robust bolted chassis design, which is easier to maintain, repair or change than a welded chassis.

Common electrical systems: uses standardised error codes for fast and easy trouble shooting.

A standardised driver control panel: all machines have the same operator controls and interface, making it easier to move from one type of machine to another.

More options and features: you have a wider range of options and features to choose from.

More choice.

You can choose to have your new Kalmar Essential Terminal Tractor delivered with either left or right hand drive to comply with local standards

You can also choose from:

- 2** different Cummins engines with either 129kW or 164kW rated power.
- 4** different front axles with capacities from 5500kg to 11250kg.
- 3** different fifth wheels, with 32T - 36T capacity.



Built to save you time and money.

Reduce fuel consumption by up to 15%.

Smart programming combined with our highly efficient driveline can reduce your overall fuel consumption by up to 15%. Saving you money and making your new terminal more eco-efficient as it will produce less emissions.

Less moving parts.

With Kalmar Essential Terminal Tractor's hydraulics system you will have less moving parts to service and maintain over mechanical alternatives, saving you even more time.

Easier and faster to service.

With an easy lift cabin and all service points accessible from the ground, servicing will be safer and quicker.

Long service intervals.

With industry leading service intervals your terminal tractor will spend less time being serviced and more time operating in your yard.



Built for comfort.

Our new Essential Terminal Tractor cabin has been specially designed to keep your drivers comfortable and safe even in the harshest conditions.



With an advanced climate control system fitted, your drivers can operate safely and comfortably in temperatures from -20c to 45c+.



Our ergonomically designed cabins come with adjustable steering wheel, seat and controls so they can be set to match your driver's preferences.



The TL2 features non-slip access surfaces and hand rails for easy and safe access to the cabin and rear platform.



Our new cabin has improved visibility both forwards and to the rear platform, so your driver can operate safely at all times.

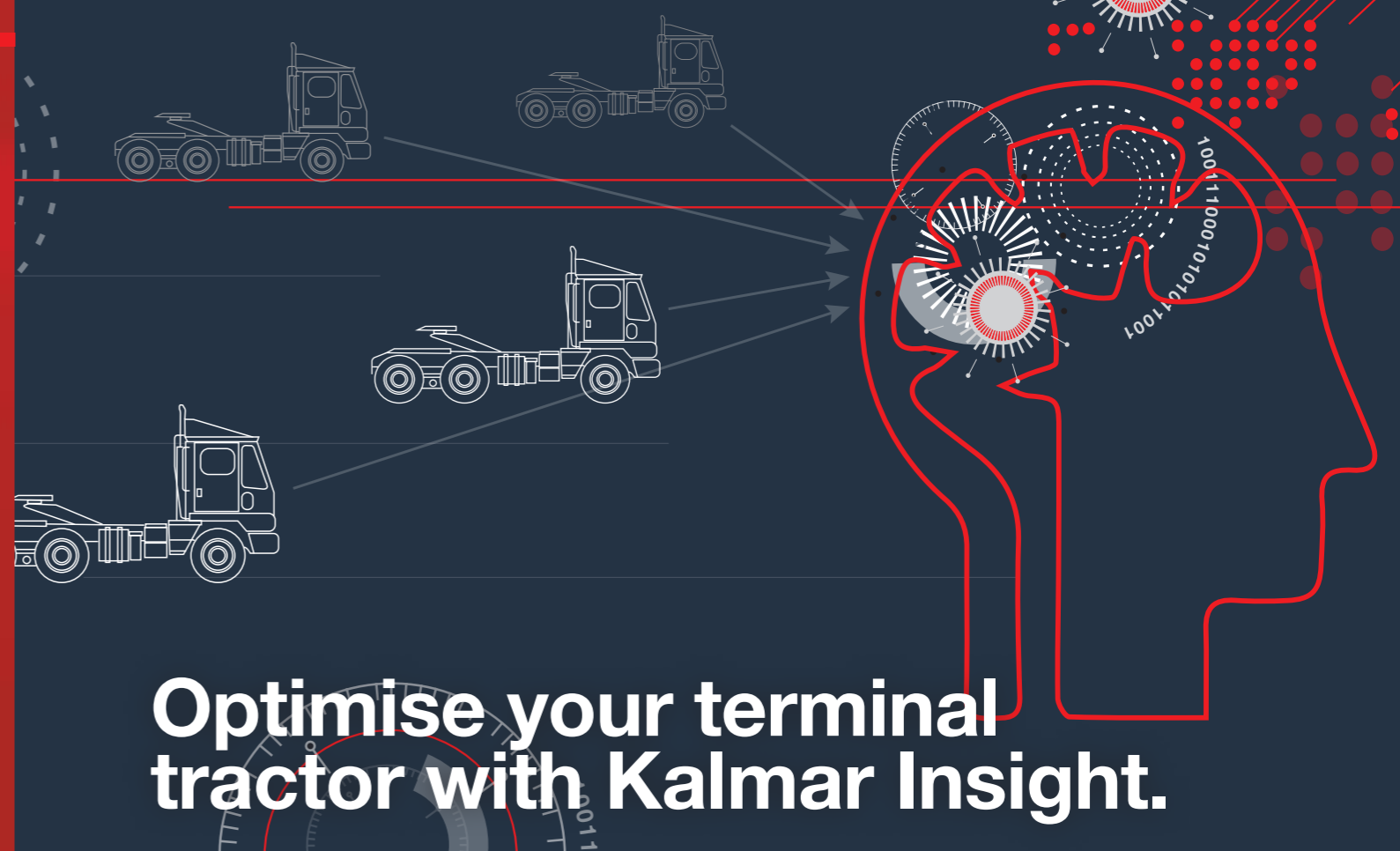


Options.

There are numerous options that you can choose from for your new terminal tractor, depending on your specific operational needs:

- LHD cabin
- Front shock absorbers
- 300L fuel tank
- Fire extinguisher
- Special colors on cabin and/or chassis
- Extended front bumper 6"
- Trailer stops
- Air horn
- LED headlights

Kalmar Lifetime Services.



Optimise your terminal tractor with Kalmar Insight.

Making sure your business never stops.

We offer four different types of service and maintenance contracts. Each is designed to help you improve your operational efficiency, drive productivity and secure financial predictability. Each contract type includes a set of standardised service modules to meet your business needs.

The four flexible types of service contracts.

Kalmar Support Care

We support your maintenance processes on demand.

- Availability of competent people with the right tools and parts
- Provides additional skills to existing maintenance organisation.

Kalmar Essential Care

We perform your agreed maintenance tasks proactively.

- Availability of competent people with the right tools and parts
- Higher degree of financial predictability
- Reduced operational risk to customer
- Improved availability of machines.

Kalmar Complete Care

We meet your complete maintenance requirements.

- Predictive maintenance planning
- Low operational risk to customer
- Reduced equipment downtime
- Reduced total cost of operation
- Increased operational predictability.

Kalmar Optimal Care

We optimise your business performance.

- Guaranteed availability
- Reduced tied-in capital
- Improved business performance
- Increased peace of mind.

Kalmar Genuine Parts, when the right part matters.

When something needs to be replaced you need a quality part that meets your exact needs – urgently. Kalmar Genuine Parts offers a rapid delivery service for over 50,000 premium-quality genuine parts to anywhere in the world, with installation support if needed. You can now order parts on-line 24/7 at Kalmar MyParts, contact your local support team to register.

Kalmar Parts Care.

Parts when you need them.

You may also want to consider outsourcing all or part of your spare parts management and inventory control. Kalmar Parts Care makes sure that critical spare parts are always on hand so your equipment downtime is kept to a minimum. Each Kalmar Parts Care plan is based on your operational needs, so talk to us today and see how we can improve your parts availability while reducing your inventory costs.

Improve your equipments' performance.

Kalmar Insight is a performance management tool for cargo and material handling, which gives you a valuable and easy to use overview of your daily operations based on equipment status and performance. Making it quicker for you to take action on relevant information that will help you to improve your operations, your equipment's performance and your business.



Access on mobile, tablet or traditional screen.

Kalmar Insight* comes fitted in all new Kalmar machines and can be retrofitted to existing Kalmar machines or those built by other manufacturers.

*Installation costs and/or annual subscription fee may apply.

Flexible financing.

You may choose to buy your new terminal tractor outright or consider a Kalmar financing package. We offer a range of packages that give you the financial predictability you need and the option to upgrade your equipment after a fixed period. Our financing packages let you focus on your core operations, while we maintain and service your equipment. Kalmar can also help with trading in your old machine.



Kalmar Training Centre.

For your team to get the most out of their new terminal tractor, the Kalmar Training Centre offers a range of courses for both your technicians and operators. Operators will be shown how to optimise their day-to-day operational performance and what needs to be checked daily on the machine before operations begin. Technicians will be given the knowledge needed to keep your new machine in top condition. Courses are a mix of theory and hands-on experience and can be held at Kalmar or at your site.



Built for you.

The Kalmar Essential Terminal Tractor.

Built to meet your requirements, the Kalmar Essential Terminal Tractor will exceed your expectations.

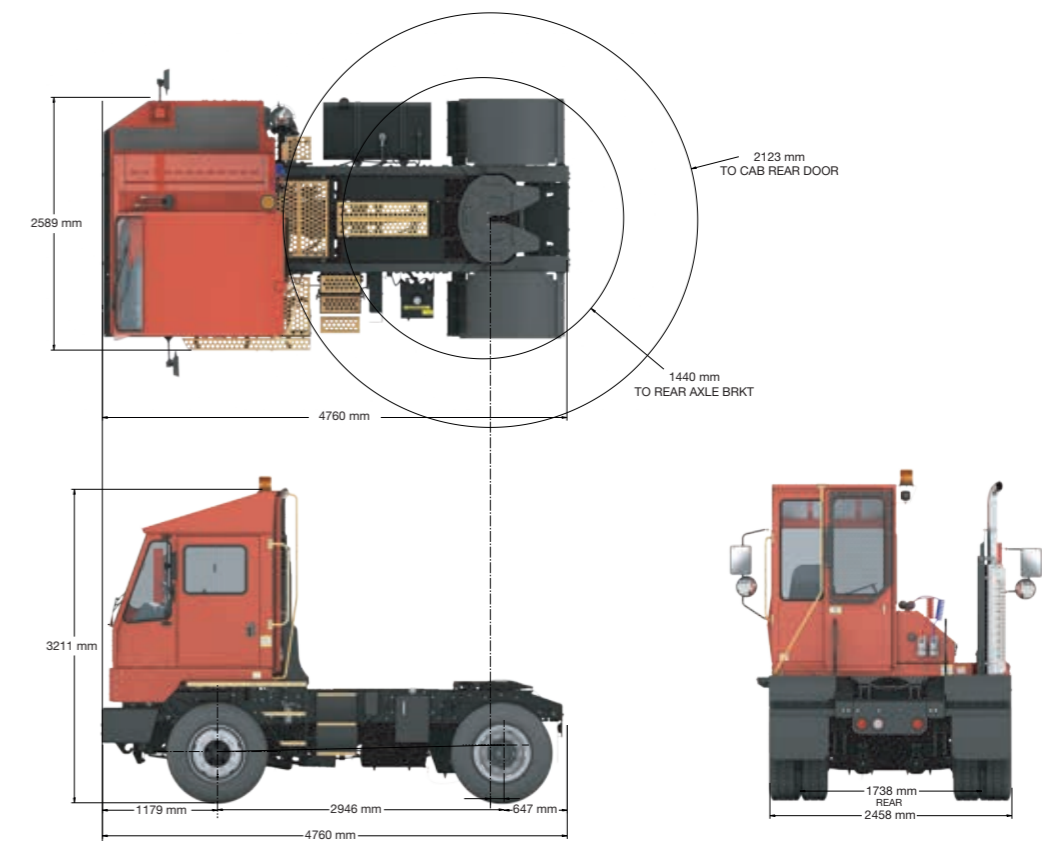
Dimensions

Wheelbase	Overall Length	Trailer clearance		
		Fixed fifth wheel	Boom up	Boom down
2946 mm	4760 mm	2117 mm	2020 mm	2123 mm
3200 mm	4900 mm	2371mm	2273 mm	2377 mm

Tyre size	Down Height		Cab Height	Ground Clearance
	Rigid Axle	Air suspension W/lowering		
11R22.5	1260 mm	N/A	3211 mm	170 mm
280/75R22.5	1194 mm	N/A	3190 mm	149 mm

Transmissions

Transmission
Allison 3000 series
Allison 3500 series



Power trains

Engine model	Rated kW @ rpm	Rated torque @ rpm
Standard - Cummins QSB6.7 220 HP / 164kW Tier 3 / EU Stage 3A	164 kW @ 2200 rpm	949 Nm @1500 rpm
Option - Cummins QSB6.7 173 HP / 129kW Tier 3 / EU Stage 3A	129 kW @ 2200 rpm	800 Nm @1400 rpm

Front axle options

Axle	Capacity @ speed	Hub
Hande front axle 5.5t with 400x150 Brakes, 335 mm with Automatic Slack Adjusters	5500 KG @ 25 km/h	335mm
Hande front axle 7.5t with 410x160 Brakes, 335 mm and Automatic Slack Adjusters	7500 KG @ 25 km/h	335mm
Kalmar FA 11 front axle 11.25t with 410x160 Brakes, 335mm and Automatic Slack Adjusters	11250 KG @ 20 km/h	335mm

Rear axle options

Axle	Ratio	Capacity @ speed
Hande with 11.98 ratio 32000 KG @ 25 km/h with Automatic or Manual Slack Adjusters	11.98	32000 KG @ 25 km/h
Kalmar RA38 rear axle 38000 KG @ 25 km/h and Automatic Slack Adjusters	12.20 14.60	38000 KG @ 20 km/h

Load carrying devices

Product	Lift height	Capacity
Stationary 5th wheel	N/A	
Port package	430mm	28t

Fifth wheels

Product	Capacity
Holland FW 35TT	32000 KG
Holland FW 0E70	32000 KG
Holland FW FW3510	36000 KG



KALMAR

Making your every move count

Published by Kalmar, part of Cargotec. Copyright © Cargotec 2018. All rights reserved. No part of this publication may be copied or reproduced without permission of the copyright owner. The content of this document is provided "as is", without warranties of any kind with regards to its accuracy or reliability and excluding all implied warranties. We reserve the rights to make changes to any of the items described in this document without prior notice. The content of each service and availability of particular services may vary.

www.kalmarglobal.com